

PLEASE CHECK WWW.MOLEX.COM FOR LATEST PART INFORMATION

Part Number: [0480253090](#)
Status: **Active**
Overview: [magnetic modular jacks](#)
Description: Modular Jack, Right Angle, 10/100, with Integrated Magnetic, 8/8, without LED, Lead free

Documents:

[3D Model](#) [Product Specification PS-48025-005 \(PDF\)](#)
[Drawing \(PDF\)](#) [RoHS Certificate of Compliance \(PDF\)](#)

Agency Certification

CSA LR19980
 UL E107635

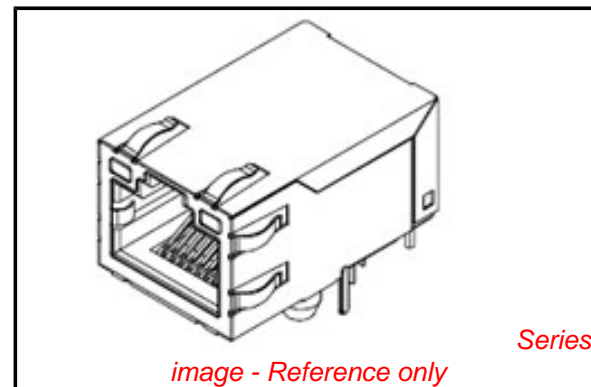
General

Product Family Modular Jacks/Plugs
 Series [48025](#)
 Comments Without LED
 Component Type PCB Jack
 Magnetic Yes
 Overview [magnetic modular jacks](#)
 Performance Category 5
 Power over Ethernet (PoE) Non-PoE
 Product Name Magnetic Jack

Physical

Boot Color N/A
 Color - Resin Black
 Durability (mating cycles max) 750
 Flammability 94V-0
 Inverted / Top Latch Yes
 Keying to Mating Part Yes
 Lightpipes/LEDs LEDs
 Material - Metal Brass, Phosphor Bronze
 Material - Plating Mating Gold
 Material - Plating Termination Tin
 Material - Resin Nylon
 Orientation Right Angle (Side Entry)
 PCB Locator Yes
 PCB Retention Yes
 PCB Thickness Recommended (in) 0.063 In
 PCB Thickness Recommended (mm) 1.60 mm
 Packaging Type Tray
 Pitch - Mating Interface (in) 0.050 In
 Pitch - Mating Interface (mm) 1.27 mm
 Pitch - Term. Interface (in) 0.050 In
 Pitch - Term. Interface (mm) 1.27 mm
 Ports 1
 Positions / Loaded Contacts 8/8
 Surface Mount Compatible (SMC) No
 Temperature Range - Operating -40°C to +70°C
 Termination Interface: Style Through Hole
 Waterproof / Dustproof No
 Wire/Cable Type N/A

Electrical



EU RoHS

ELV and RoHS Compliant
REACH SVHC
 Not Reviewed
Halogen-Free Status
Not Reviewed

China RoHS



Need more information on product environmental compliance?

Email productcompliance@molex.com
 For a multiple part number RoHS Certificate of Compliance, [click here](#)

Please visit the [Contact Us](#) section for any non-product compliance questions.

Search Parts in this Series

[48025Series](#)

Mates With

FCC 68 Plugs

Current - Maximum per Contact	1.5A
Grounding to PCB	Yes
Grounding to Panel	Panel Ground Tab
Shielded	Yes
Voltage - Maximum	150V AC (RMS)

Material Info

Reference - Drawing Numbers

Packaging Specification	PK-48025-001
Product Specification	PS-48025-005
Sales Drawing	SD-48025-011
Test Summary	TS-48025-011

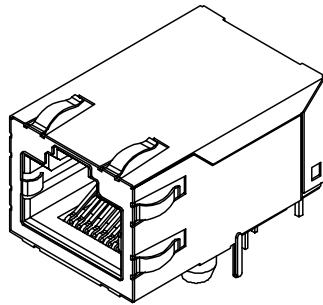
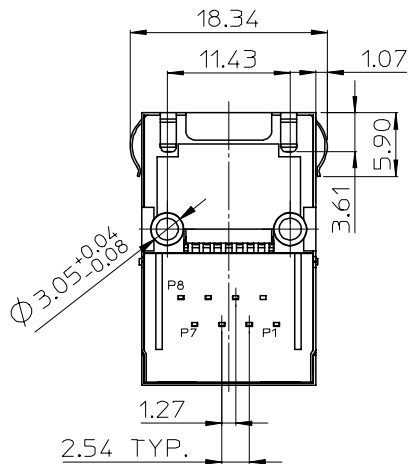
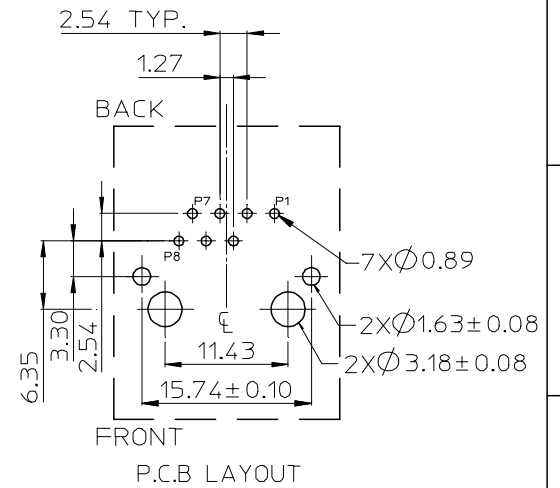
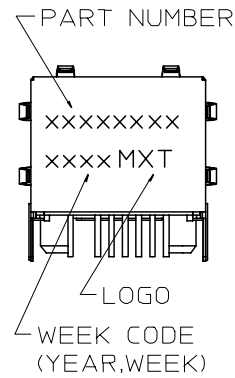
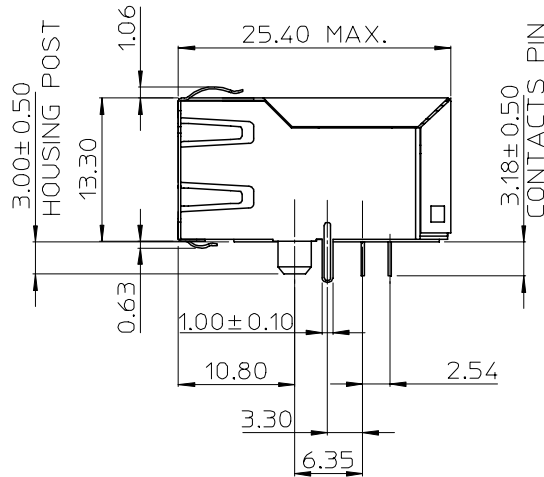
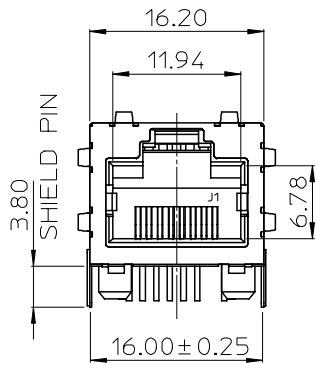
This document was generated on 05/26/2010

PLEASE CHECK WWW.MOLEX.COM FOR LATEST PART INFORMATION

10 9 8 7 6 5 4 3 2 1

F
E
D
C
B
A

F
E
D
C
B
A



NOTES:

- 1.MATERIAL:
METAL SHELL: BRASS
HOUSING: POLYAMIDE, GLASS FIBER FILLED, UL94-0,COLOR BLACK
INSERT: POLYAMIDE, GLASS FIBER FILLED, UL94-0,COLOR BLACK
TERMINAL: PHOSPHOR BRONZE
- 2.PLATING:
TERMINAL:
CONTACT AREA: GOLD(Au), THICKNESS=50 MICROINCH/1.27 MICROMETER
SOLDER TAIL: TIN(Sn), THICKNESS=100 MICROINCH MINIMUM
UNDER PLATE: NICKEL (Ni).
METAL SHELL:
SOLDER TAIL: TIN(Sn), THICKNESS=100 MICROINCH MINIMUM
UNDER PLATE: NICKEL (Ni),(SOLDERING AVAILABLE)
SURFACE APPEARANCE: BRIGHT.
- 3.RECOMMENDED PCB THICKNESS: 1.60±0.05
- 4.PRODUCT SPECIFICATION REFER TO PS-48025-005
- 5.TEST SUMMARY REFER TO TS-48025-011
- 6.PACKAGING SPECIFICATION REFER TO PK-48025-001
- 7.LEAD FREE AND RoHS COMPLIANT PRODUCT.

RoHS FOR 48025-3000	2006/10/04
EC NO: SH2007-0129	2006/10/04
DRWN:ALLIN	2006/10/04
CHKD:	2006/10/04
APPR:WMSCHANG	2006/10/04

QUALITY SYMBOLS	DESCRIPTION
▽=0	
△=0	

GENERAL TOLERANCES (UNLESS SPECIFIED)	mm	INCH
4 PLACES	± ---	± ---
3 PLACES	± ---	± ---
2 PLACES	± 0.25	± ---
1 PLACE	± 0.25	± ---
ANGULAR ± 3 °		
DRAFT WHERE APPLICABLE MUST REMAIN WITHIN DIMENSIONS		

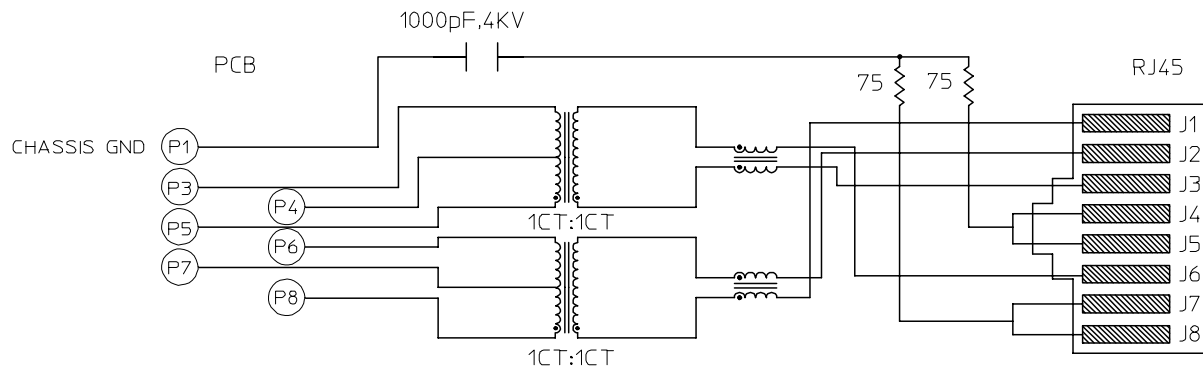
DIMENSION STYLE		SCALE	DESIGN UNITS	THIRD ANGLE PROJECTION
MM ONLY			METRIC	
DRAWN BY	DATE	TITLE		
LINDA	2006/08/08	MODULAR JACK (4KV) WITH INTEGRATED MAGNETICS WITHOUT LED		
CHECKED BY	DATE	MOLEX MOLEX INCORPORATED		
ALLEN LIN	2006/08/10			
APPROVED BY	DATE			
ERICK LAN	2006/08/10			
MATERIAL NO.		DOCUMENT NO.	SHEET NO.	
48025-3090		SD-48025-011	1 OF 2	

MATERIAL NO.		DOCUMENT NO.	SHEET NO.
48025-3090		SD-48025-011	1 OF 2
THIS DRAWING CONTAINS INFORMATION THAT IS PROPRIETARY TO MOLEX INCORPORATED AND SHOULD NOT BE USED WITHOUT WRITTEN PERMISSION			

9 8 7 6 5 4 3 2 1

ELECTRICAL SPECIFICATIONS:

- 1.0 TURNS RATIO:(P5-P4-P3):(J3-J6):1CT:1CT
(P8-P7-P6):(J1-J2):1CT:1CT
- 2.0 INDUCTANCE:(P8-P6):350uH MIN. @0.1V,100KHz,8mA DC Bias.
(P3-P5):350uH MIN. @0.1V,100KHz,8mA DC Bias.
- 3.0 LEAKAGE INDUCTANCE:P5-P3(WITH J6 AND J3 SHORT):0.3 MAX.@1MHz.
P8-P6(WITH J2 AND J1 SHORT):0.3 MAX.@1MHz.
- 4.0 INTERWINNING CAPACITANCE:(P5,P4,P3) TO (J6,J3):30pf MAX @1MHz.
(P8,P7,P6) TO (J2,J1):30pf MAX @1MHz.
- 5.0 DC RESISTANCE:(J6-J3)=(J2-J1):1.2 ohms Max.
- 6.0 RETURN LOSS:(P5-P3)=100 OHMS(P8-P6)=100 OHM REF.
1MHz TO 30MHz:18db min.:18dB MIN.
30MHz TO 80MHz:12db min.:12dB MIN.
NOTE:100 OHMS CONNECTED TO (J2-J1) TO (J6-J3).
- 7.0 HI-POT:(J1,J2) TO (P8,P6):1500 VAC.
(J3,J6) TO (P5,P3):1500 VAC.
- 8.0 INSERTION LOSS:RS=RL=100 ohms:1.1 dB MAX.
100KHz TO 100MHz.
- 9.0 CROSS TALK:1-100 MHz:30 dB MIN.
- 10.0 COMMON TO COMMON MODE REJECTION:1MHz TO 100MHz:35 dB MIN.



MAGNETIC SCHEMATIC

SEE SHEET 1 EC NO: SH2007-0129 DRWN:ALLIN CHKD: APPR:WMSCHANG	2006/10/04 2006/10/04 2006/10/04	QUALITY SYMBOLS ▽=0 ▽=0	GENERAL TOLERANCES (UNLESS SPECIFIED)		DIMENSION STYLE MM ONLY		SCALE 1:1	DESIGN UNITS METRIC	THIRD ANGLE PROJECTION		
										MODULAR JACK (4KV) WITH INTEGRATED MAGNETICS WITHOUT LED MOLEX INCORPORATED	
			4 PLACES	± ---	± ---	DRAWN BY LINDA	DATE 2006/08/08	TITLE			
			3 PLACES	± ---	± ---	CHECKED BY ALLEN LIN	DATE 2006/08/10	APPROVED BY ERICK LAN	DATE 2006/08/10	MATERIAL NO. 48025-3090	DOCUMENT NO. SD-48025-011
2 PLACES	± 0.25	± ---	DRAFT WHERE APPLICABLE MUST REMAIN WITHIN DIMENSIONS		SIZE A3		THIS DRAWING CONTAINS INFORMATION THAT IS PROPRIETARY TO MOLEX INCORPORATED AND SHOULD NOT BE USED WITHOUT WRITTEN PERMISSION				
1 PLACE	± 0.25	± ---									
		ANGULAR ± 3 °									